

PHILIPS

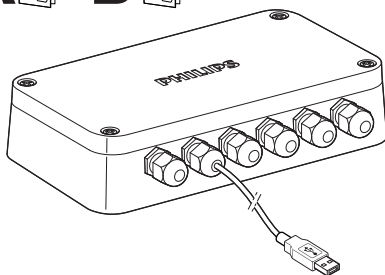
CoralCare
Controller

Gen2

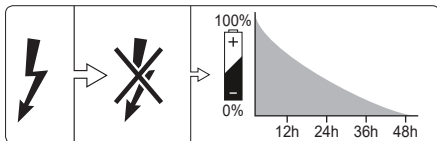


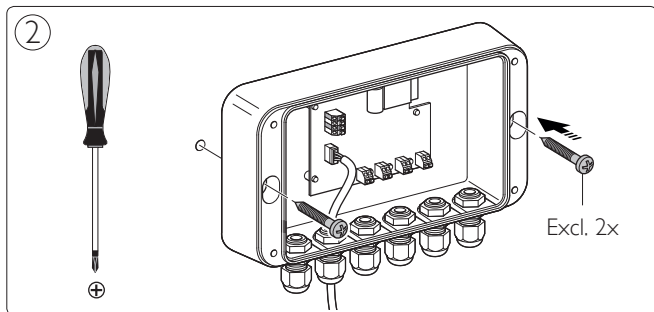
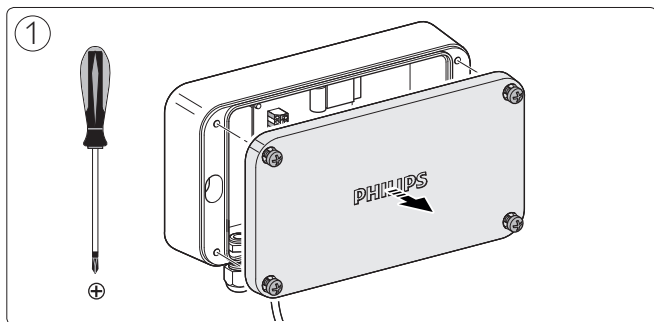
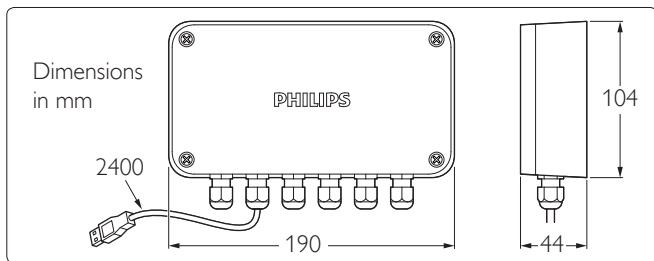
Gebbruiksaanwijzing
Notice d'emploi
Benutzerhandbuch
User manual
Manual de usuario

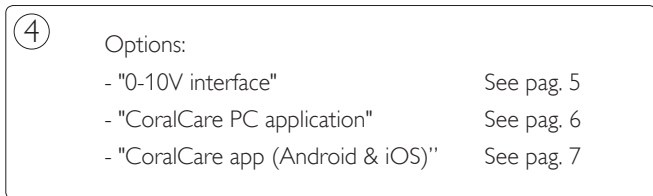
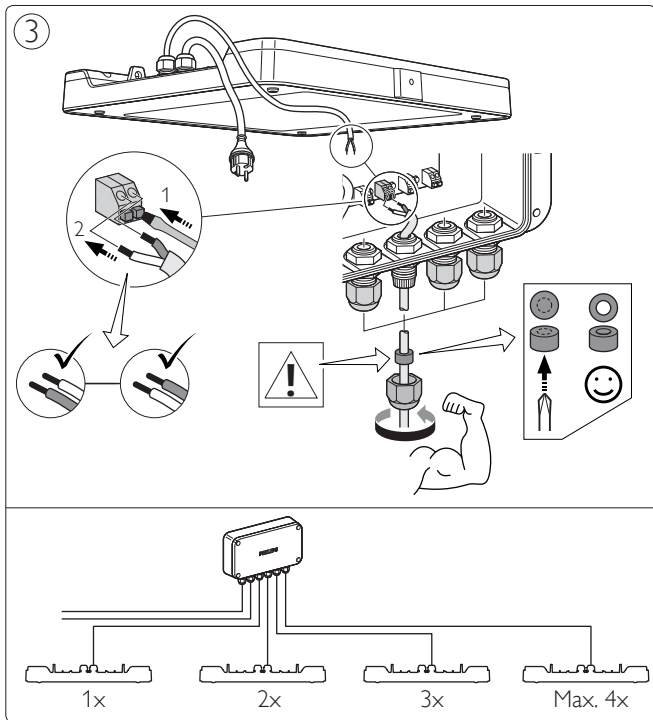
Incl.



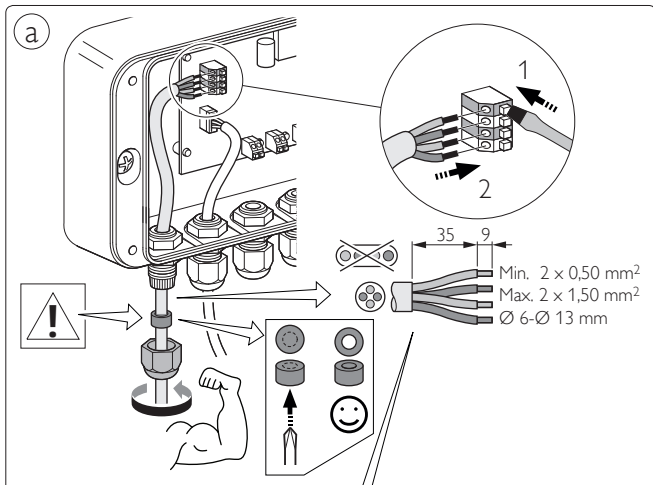
Excl.





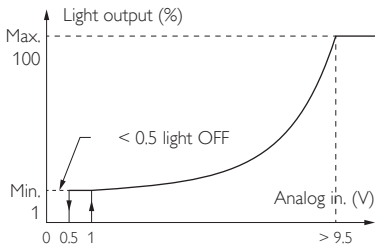
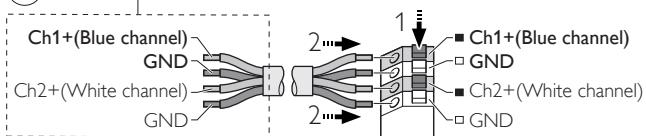


Option: "0-10V interface"



b 3rd party aquarium computer

$U_{in} = 0 - 10V \text{ DC}$



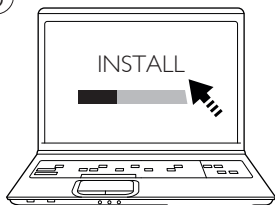
Option: "CoralCare PC application"

a

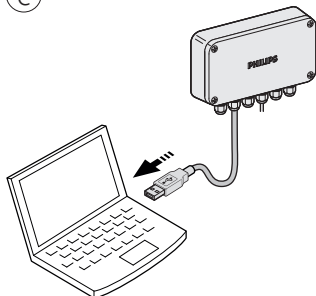


See [www.philips.com/coralcare/...](http://www.philips.com/coralcare/)

b

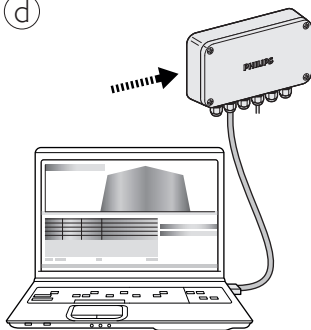


c

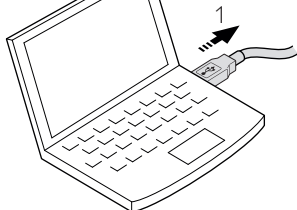


See [www.philips.com/coralcare/...](http://www.philips.com/coralcare/)

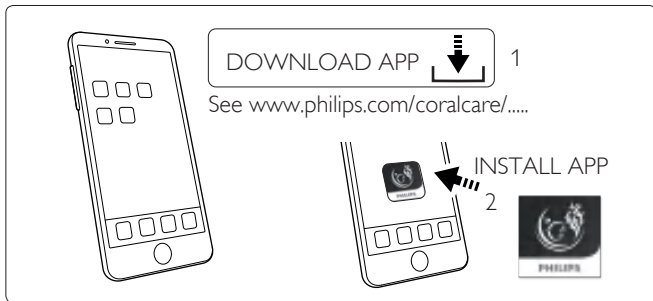
d




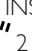

e

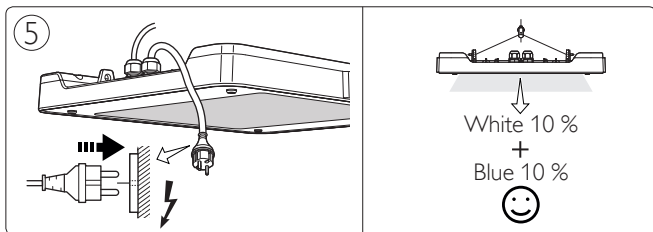


Option: "CoralCare app (Android & iOS)"




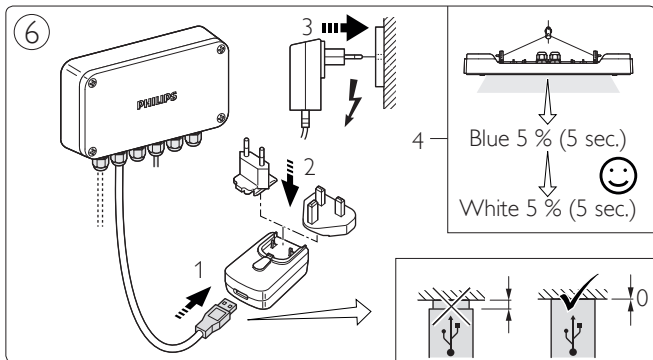
1
DOWNLOAD APP  See www.philips.com/coralcare/....

2
INSTALL APP  



5

White 10 %
+
Blue 10 %





6

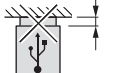
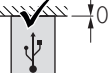
3

2

1

4

Blue 5 % (5 sec.)
↓
White 5 % (5 sec.) 



Signify
I.B.R.S. / C.C.R.I. Numéro 10461
5600 VB Eindhoven, the Netherlands

www.philips.com/coralcare
☎ +800 7445 4775

© Signify
© 2020 Signify Holding
All rights reserved

4443.160.22971
Last update: 15/01/20